

SINGER
14U34B

PARTS LIST

SINGER^{*}

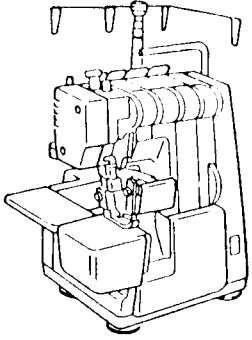
14U34B

* A Trademark of THE SINGER COMPANY
Copyright ©1988 SINGER SEWING MACHINE COMPANY
All Rights Reserved Throughout The World

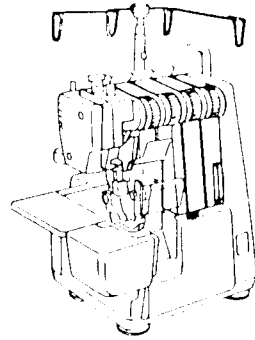
From the library of: Diamond Needle Corp

INDEX

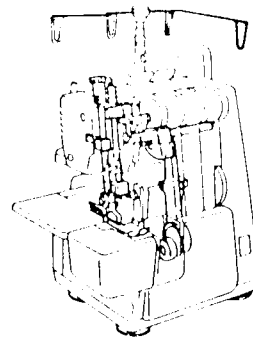
1



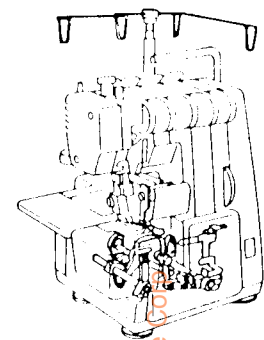
2



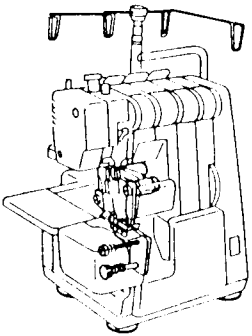
3



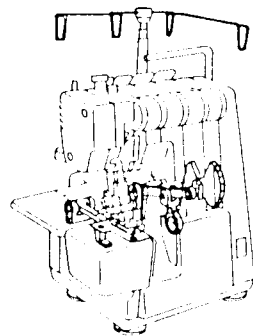
4



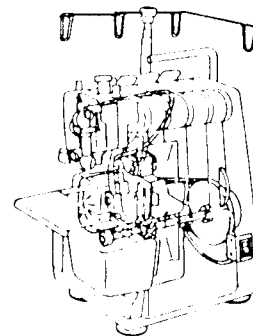
5



6

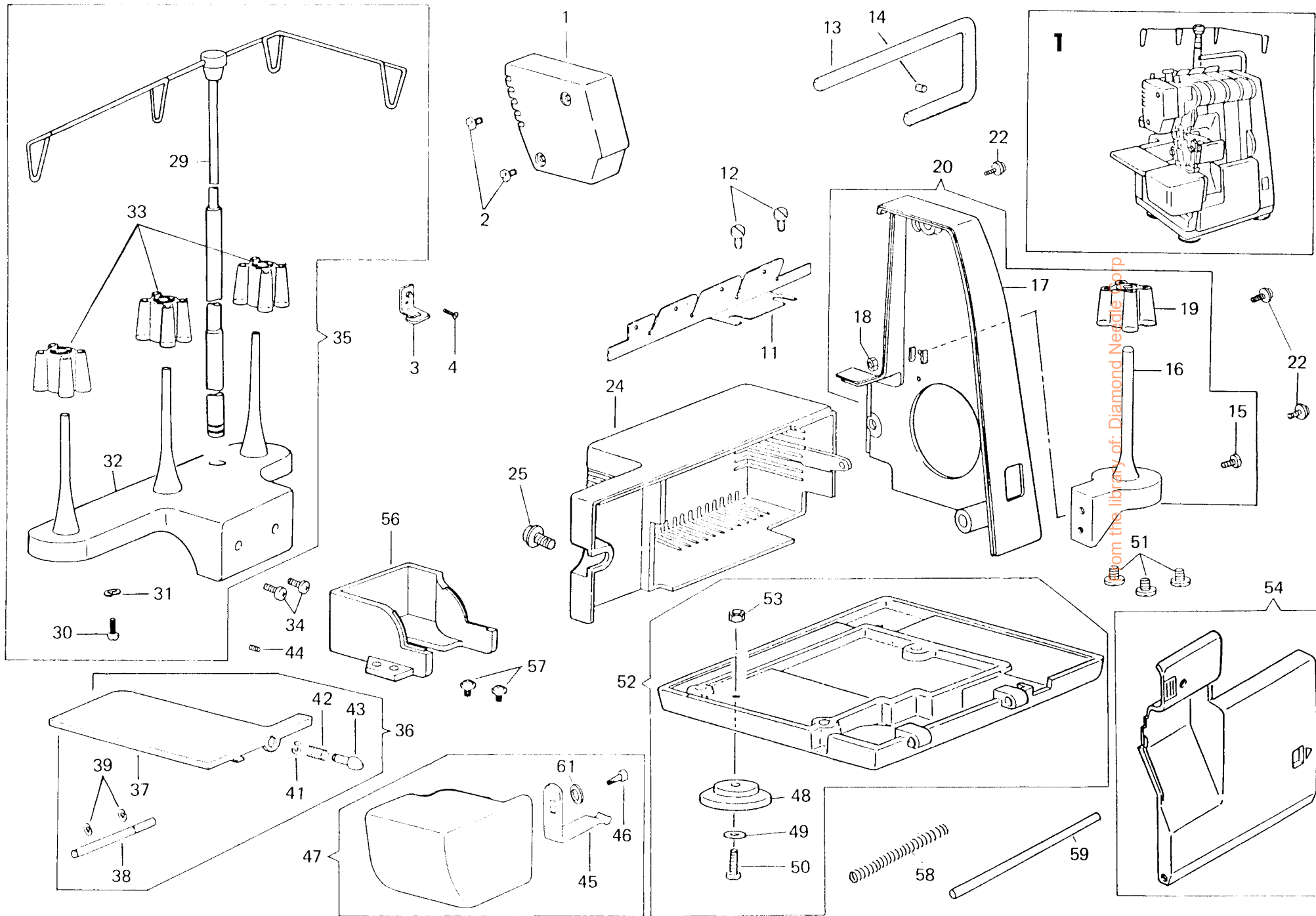


7



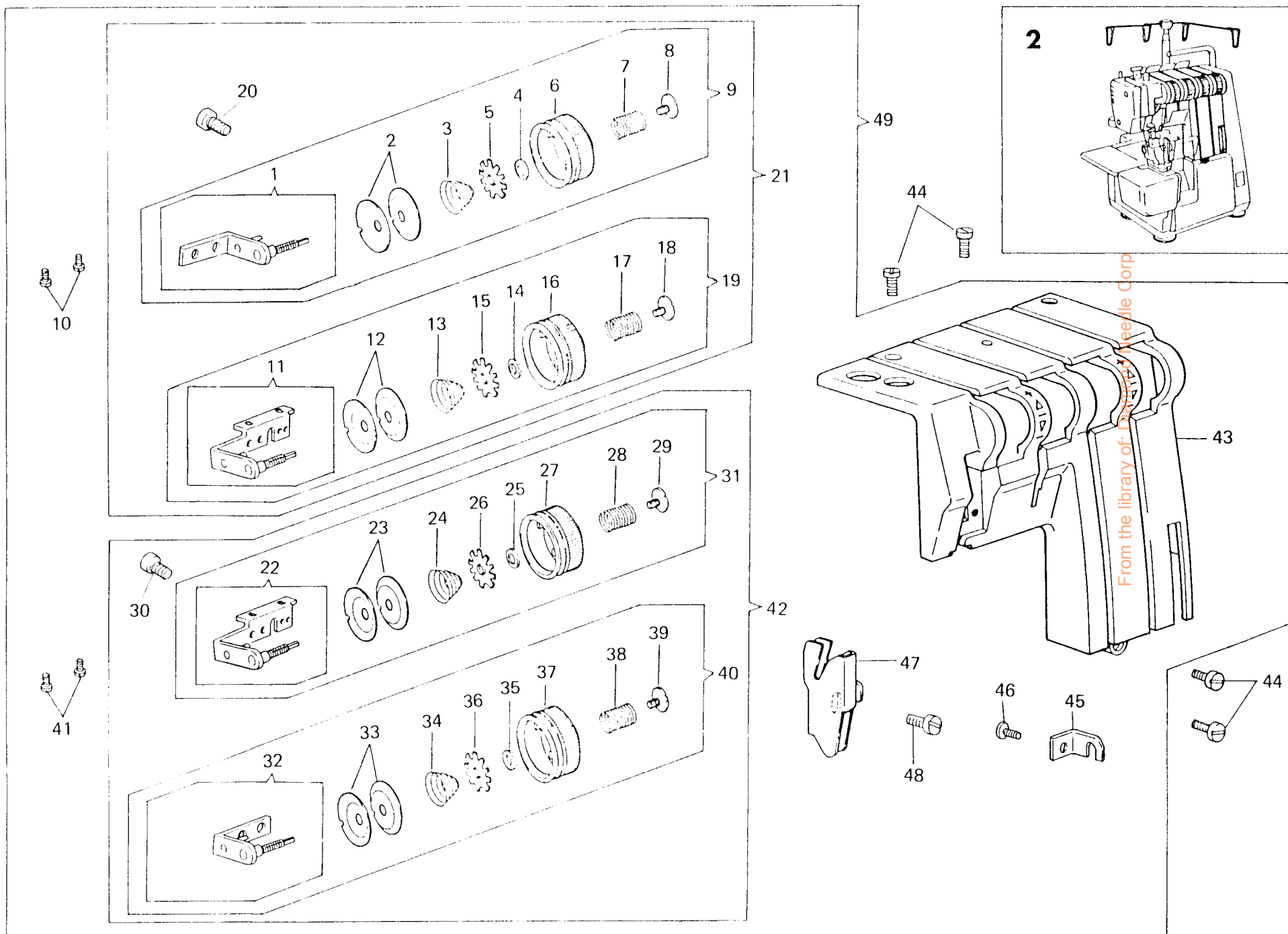
8

From the library of: Diamond Needle Co.



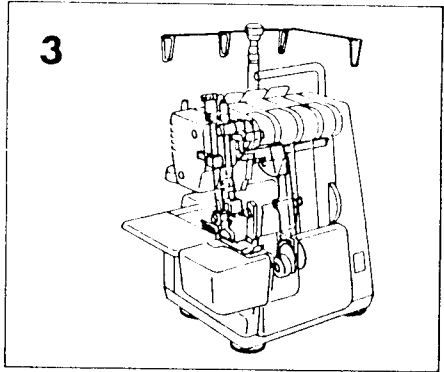
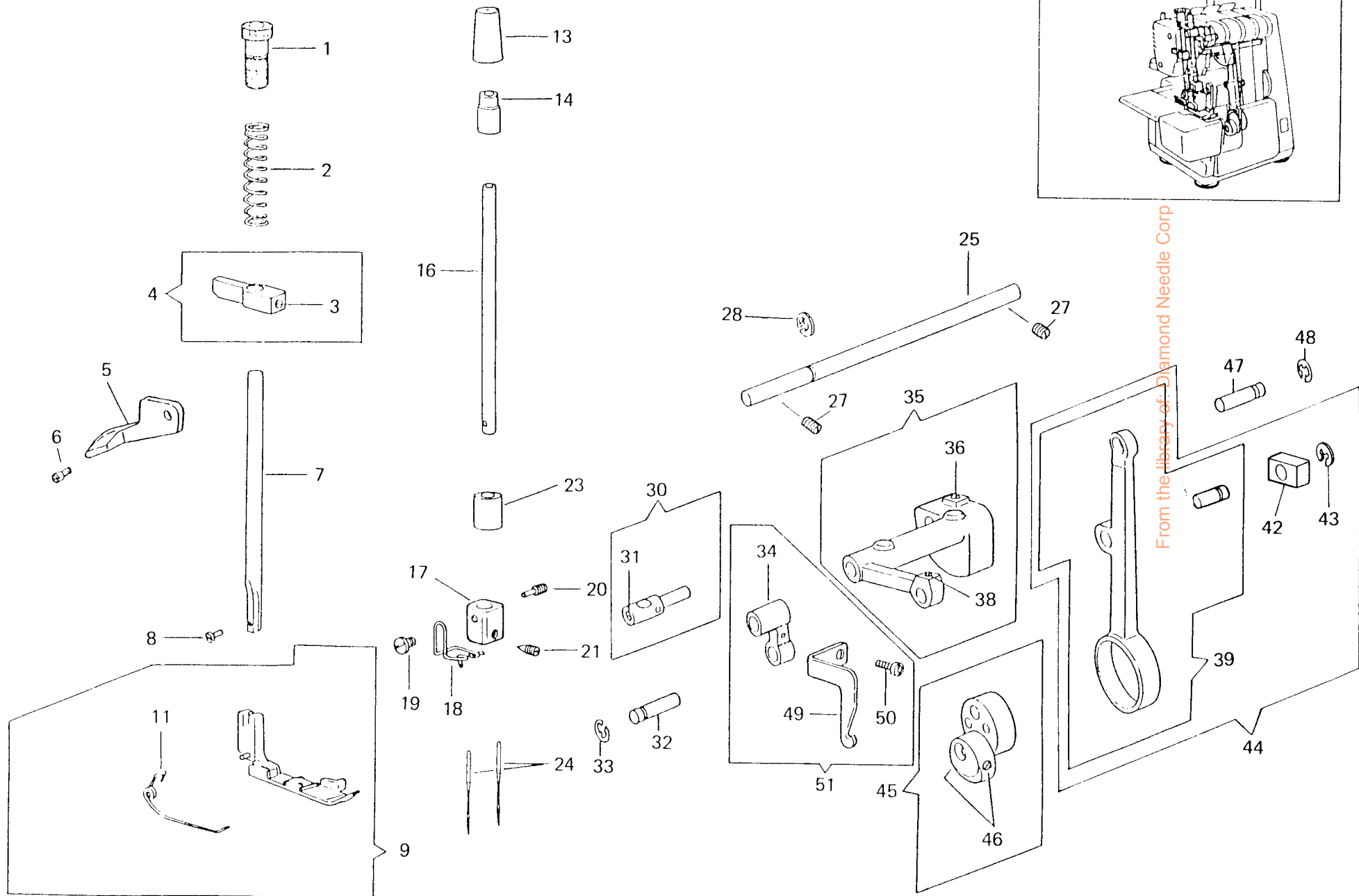
	PART NO.	DESCRIPTION		PART NO.	DESCRIPTION
1	412735-002	Light Cover	39	546623	Convertible Bed Plate Stud Retaining Ring(2)
2	544212-072	Light Cover Screw(2)			
3	412534	Needle Thread Guide	41	546623	Convertible Bed Plate Latch Retaining Ring
4	544258	Needle Thread Guide Screw	42	376786	Convertible Bed Plate Latch Spring
			43	381374-451	Convertible Bed Plate Latch
			44	544203-001	Convertible Bed Plate Stud Screw
			45	412682	Cylinder Cover Spring
			46	412697	Cylinder Cover Spring Clamping Screw
			47	412706-002	Cylinder Cover Complete
			48	410208	Machine Base Cushion(4)
11	410209	Thread Guide Plate	49	543803-004	Machine Base Cushion Screw Washer(4)
12	544212-001	Thread Guide Plate Set Screw(2)	50	544218-002	Machine Base Cushion Screw(4)
13	410202	Handle	51	544214-005	Machine Base Screw(3)
14	544204-005	Handle Set Screw(2)	52	376794-002	Machine Base Comp.
15	544212-004	Thread Unwinder (small) Screw	53	541166-001	Machine Base Cushion Nut(4)
16	376779-002	Thread Unwinder (small)	54	376823-013	Looper Cover Comp.
17	412750-002	Pulley Cover			
18	541165-001	Thread Unwinder (small) Screw Nut	56	412736-002	Transformer Cover
19	546893	Spool Holder	57	544270-001	Transformer Cover Screw(2)
20	412766-002	Pulley Cover Comp.	58	376717	Looper Cover Hinge Spring
			59	410239	Looper Cover Hinge Pin
22	544270-001	Pulley Cover Screw(3)			
			61	543304-003	Cylinder Cover Spring Clamping Screw Washer
24	410248-003	Motor Cover			
25	544270-001	Motor Cover Screw			
29	412519	Thread Unwinder Thread Guide Rod Comp.			
30	544212-003	Thread Unwinder Thread Guide Rod Screw			
31	543805-003	Thread Unwinder Thread Guide Rod Screw Washer			
32	410389-902	Thread Unwinder Comp.			
33	546893	Spool Holder(3)			
34	544213-001	Thread Unwinder Comp.Screw(2)			
35	376834-002	Thread Unwinder Comp.			
36	376781-002	Convertible Bed Plate Comp.			
37	376780-902	Convertible Bed Plate (body)			
38	376785	Convertible Bed Plate Stud			

From the library of: Diamond Needle Corp



PART NO.	DESCRIPTION	PART NO.	DESCRIPTION
1	376818 One Turn Tension Dial Bracket (right) Comp.	39	544265 Tension Dial Presser Spring Screw
2	410226 Tension Disc(2)	40	376830 One Turn Tension Dial Comp.(N) (right)(for 2 needle)
3	412680 Tension Disc Spring	41	412697-002 Tension Dial Comp.Screw(2)
4	412696 Washer	42	376821 One Turn Tension Dial Comp.(N) (for 2 needle)
5	370289 Tension Disc Spring Nut	43	412754-006 Front Cover (body) Comp.(for 2 needle)
6	410229-460 Tension Dial Comp.	44	544212-073 Front Cover Screw(4)
7	410230 Tension Dial Presser Spring	45	412531 Front Cover Thread Guide (small)
8	544265 Tension Dial Presser Spring Screw	46	412697-002 Front Cover Thread Guide (small) Screw
9	376831 One Turn Tension Dial Comp.(L)(right)	47	412751 Front Cover Thread Guide (for 2 needle)
10	412697-002 Tension Dial Comp.Screw(2)	48	412697 Front Cover Thread Guide Screw
11	376817 One Turn Tension Dial Bracket (left) Comp.	49	376829-001 Front Cover Comp. (for 2 needle)
12	410226 Tension Disc(2)		
13	412679 Tension Disc Spring		
14	412696 Washer		
15	370289 Tension Disc Spring Nut		
16	410229-459 Tension Dial Comp.		
17	410230 Tension Dial Presser Spring		
18	544265 Tension Dial Presser Spring Screw		
19	376832 One Turn Tension Dial Comp.(L)(left)		
20	544212-001 Tension Dial Bracket (left) Set Screw		
21	376820 One Turn Tension Dial Comp.(L)		
22	376817 One Turn Tension Dial Bracket (left) Comp.		
23	410226 Tension Disc(2)		
24	412720 Tension Disc Spring		
25	412696 Washer		
26	370289 Tension Disc Spring Nut		
27	410229-461 Tension Dial Comp.		
28	410230 Tension Dial Presser Spring		
29	544265 Tension Dial Presser Spring Screw		
30	544212-001 Tension Dial Bracket (left) Set Screw		
31	376819 One Turn Tension Dial Comp.(N)(left)		
32	370245 One Turn Tension Dial Bracket (right) Comp.		
33	410226 Tension Disc (2)		
34	412720 Tension Disc Spring		
35	412696 Washer		
36	370289 Tension Disc Spring Nut		
37	410229-462 Tension Disc Comp.		
38	410230 Tension Disc Presser Spring		

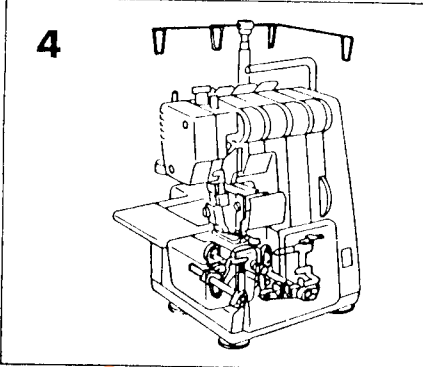
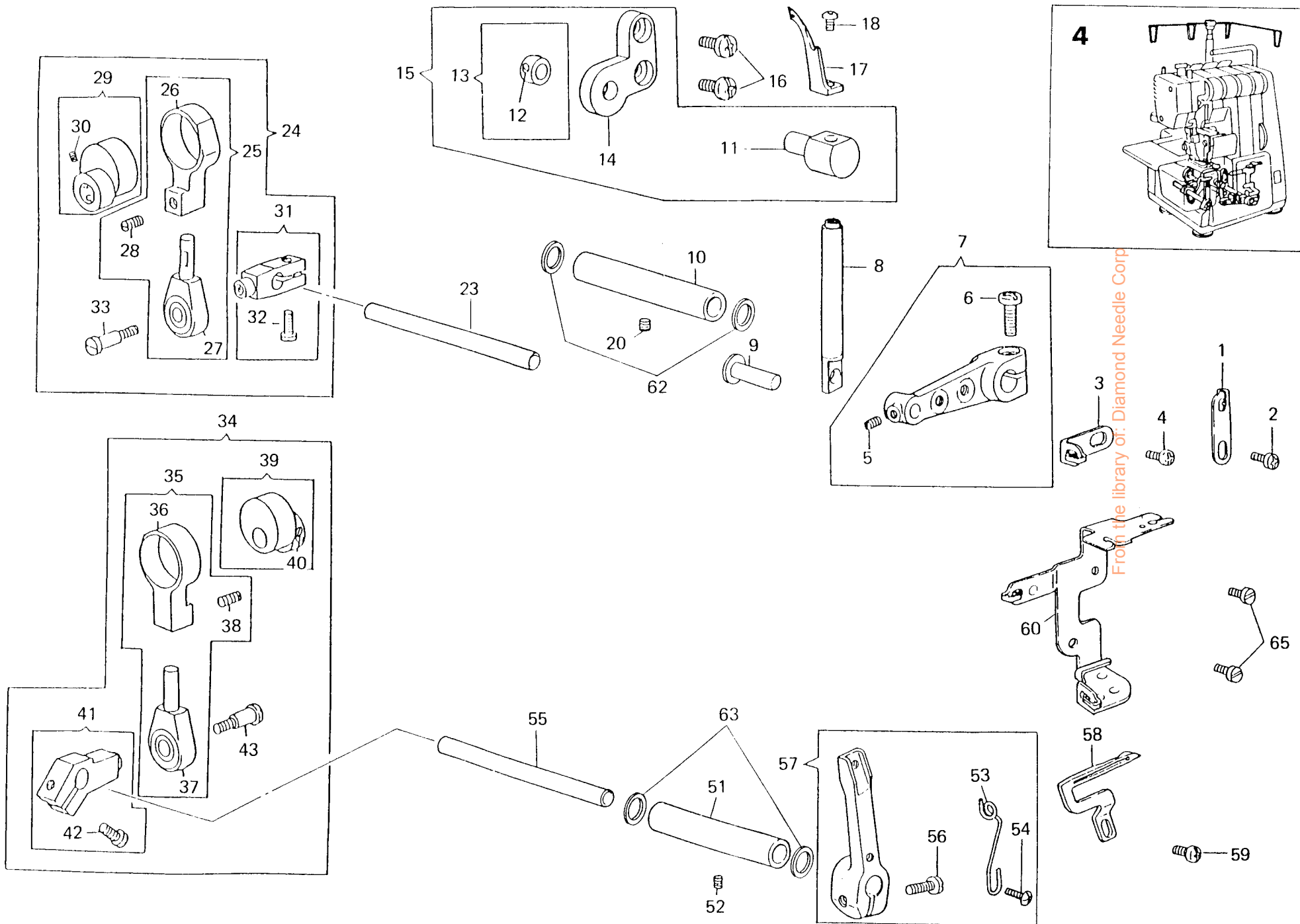
From the library of: Diamond Needle Corp



From the library of Diamond Needle Corp

	PART NO.	DESCRIPTION		PART NO.	DESCRIPTION
1	544262-101	Presser Regulating Thum Screw	39	370243	Needle Bar Crank Rod Comp.
2	410355	Presser Bar Spring			
3	544204-001	Presser Bar Guide Bracket Screw			
4	410352	Presser Bar Guide Bracket Comp.	42	511030	Needle Bar Crank Rod Slide Block
5	412787-100	Presser Bar Lifter	43	543801-006	Needle Bar Crank Rod Slide Block Pin Retaining Ring
6	544441	Presser Bar Lifter Screw Stud	44	370242	Needle Bar Crank Rod Comp.
7	410351	Presser Bar	45	410329	Needle Bar Eccentric Cam Comp.
8	504063-451	Presser Foot Screw	46	544204-002	Needle Bar Eccentric Cam Set Screw(2)
9	376827	Presser Foot Comp.	47	410340	Needle Bar Crank Rod Pin
			48	543801-006	Needle Bar Crank Rod Pin Retaining Ring
11	410348	Presser Foot Spring	49	370274	Needle Thread Take-up
			50	544211-051	Needle Thread Take-up Screw
13	410322-100	Needle Bar Bushing (upper) Cap	51	370275	Needle Bar Connecting Link Comp.
14	410323	Needle Bar Bushing (upper)			
16	376844	Needle Bar			
17	376847	Needle Clamp			
18	376848	Needle Bar Thread Guide			
19	544211-059	Needle Bar Thread Guide Set Screw			
20	374102	Needle Bar Set Screw			
21	374101	Needle Set Screw			
23	410324	Needle Bar Bushing (lower)			
24	N2054-01-14	Needle (#14) (2)			
25	376814	Arm Shaft			
27	544204-002	Arm Shaft Bushing Set Screw(2)			
28	543801-007	Arm Shaft Retaining Ring			
30	410325	Needle Bar Connecting Stud			
31	544044	Needle Bar Connecting Stud Screw			
32	410340	Needle Bar Connecting Link Pin			
33	543801-006	Needle Bar Connecting Link Pin Retaining Ring			
34	410327	Needle Bar Connecting Link			
35	412707-001	Needle Bar Crank Comp.			
36	544203-001	Needle Bar Crank Rod Pin Screw			
38	544203-001	Needle Bar Connecting Link Pin			

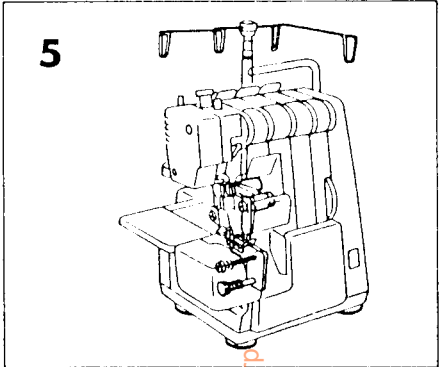
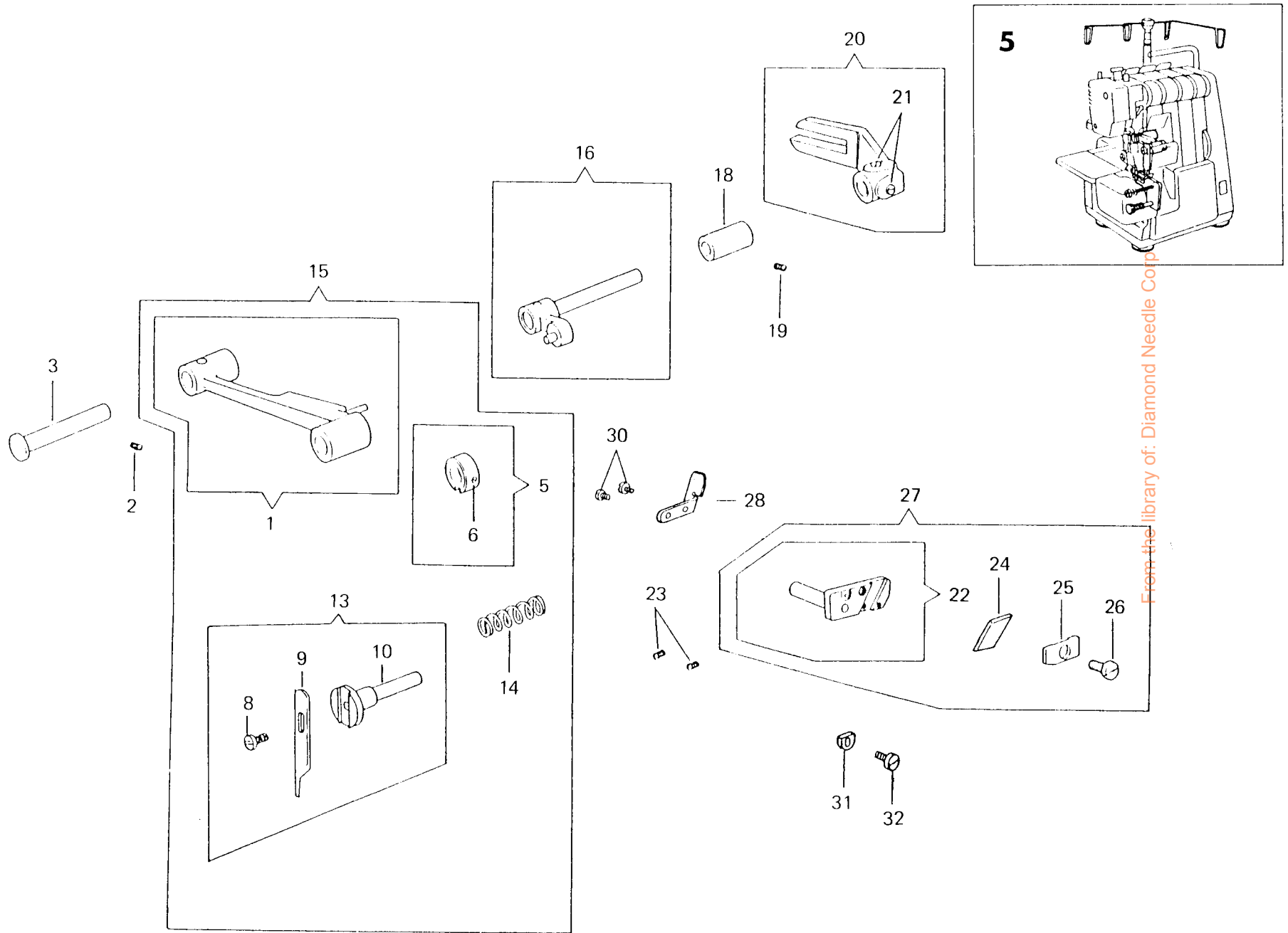
From the library of: Diamond Needle Corp



From the library of: Diamond Needle Corp

PART NO. DESCRIPTION			PART NO. DESCRIPTION		
1	410455	Right Looper Thread Guide	39	376701	Looper Cam Comp.
2	544212-001	Right Looper Thread Guide Set Screw	40	544204-001	Looper Cam Set Screw(2)
3	410438	Left Looper Thread Guide	41	412798	Left Looper Shaft Lever Comp.
4	544212-001	Left Looper Thread Guide Set Screw	42	544213-054	Left Looper Shaft Lever Screw
5	544203-001	Right Looper Retainer Driving Lever Stud Set Screw	43	374136	Screw Stud
6	544213-053	Right Looper Retainer Driving Lever Clamping Screw			
7	410436	Right Looper Retainer Driving Lever Comp.			
8	410435	Right Looper Retainer			
9	370290	Right Looper Retainer Driving Stud			
10	376799	Right Looper Shaft Bushing			
11	410429	Right Looper Retainer Guide			
12	544203-001	Right Looper Retainer Guide Collar Screw(2)			
13	410432	Right Looper Retainer Guide Collar Comp.	51	376798	Left Looper Shaft Bushing
14	370281	Right Looper Retainer Guide Bracket	52	544204-001	Left Looper Shaft Bushing Set Screw
15	370280	Right Looper Retainer Guide Bracket Comp.	53	410456	Left Looper Holder Thread Guide
16	544213-002	Right Looper Retainer Guide Bracket Screw(2)	54	544212-001	Left Looper Holder Thread Guide Screw
17	410434	Right Looper	55	376813	Left Looper Shaft
18	544413	Right Looper Screw	56	544213-053	Left Looper Holder Clamping Screw
			57	376838	Left Looper Holder Comp.
20	544204-001	Right Looper Shaft Bushing Set Screw	58	410452	Left Looper
			59	544211-052	Left Looper Screw
			60	376800-001	Looper Thread Guide
23	376813	Right Looper Shaft			
24	376707	Right Looper Cam Rod Comp.	62	542402	Right Looper Shaft Bushing Thrust Washer(2)
25	412793	Looper Cam Rod Comp.	63	542402	Left Looper Shaft Bushing Thrust Washer(2)
26	412794	Looper Cam Rod			
27	412795	Rod End			
28	544208-002	Rod End Set Screw	65	544212-001	Looper Thread Guide Screw(2)
29	376701	Looper Cam Comp.			
30	544204-001	Looper Cam Set Screw(2)			
31	412796	Right Looper Shaft Lever Comp.			
32	544213-054	Right Looper Shaft Lever Screw			
33	374136	Screw Stud			
34	376708	Left Looper Cam Rod Comp.			
35	412793	Looper Cam Rod Comp.			
36	412794	Looper Cam Rod			
37	412795	Rod End			
38	544208-002	Rod End Set Screw			

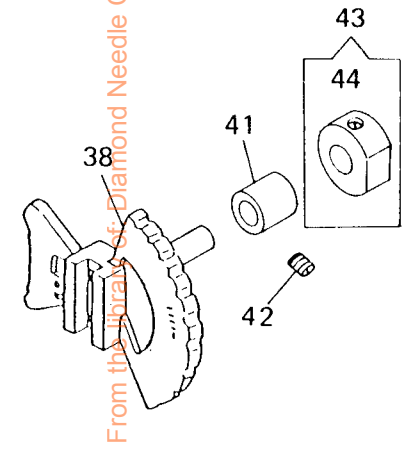
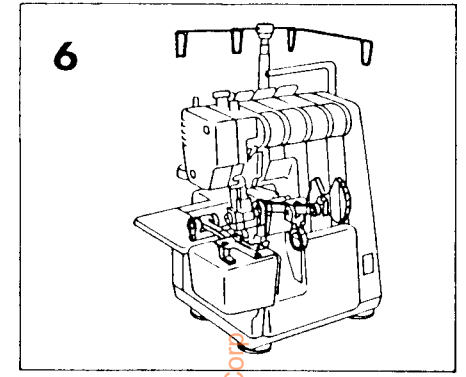
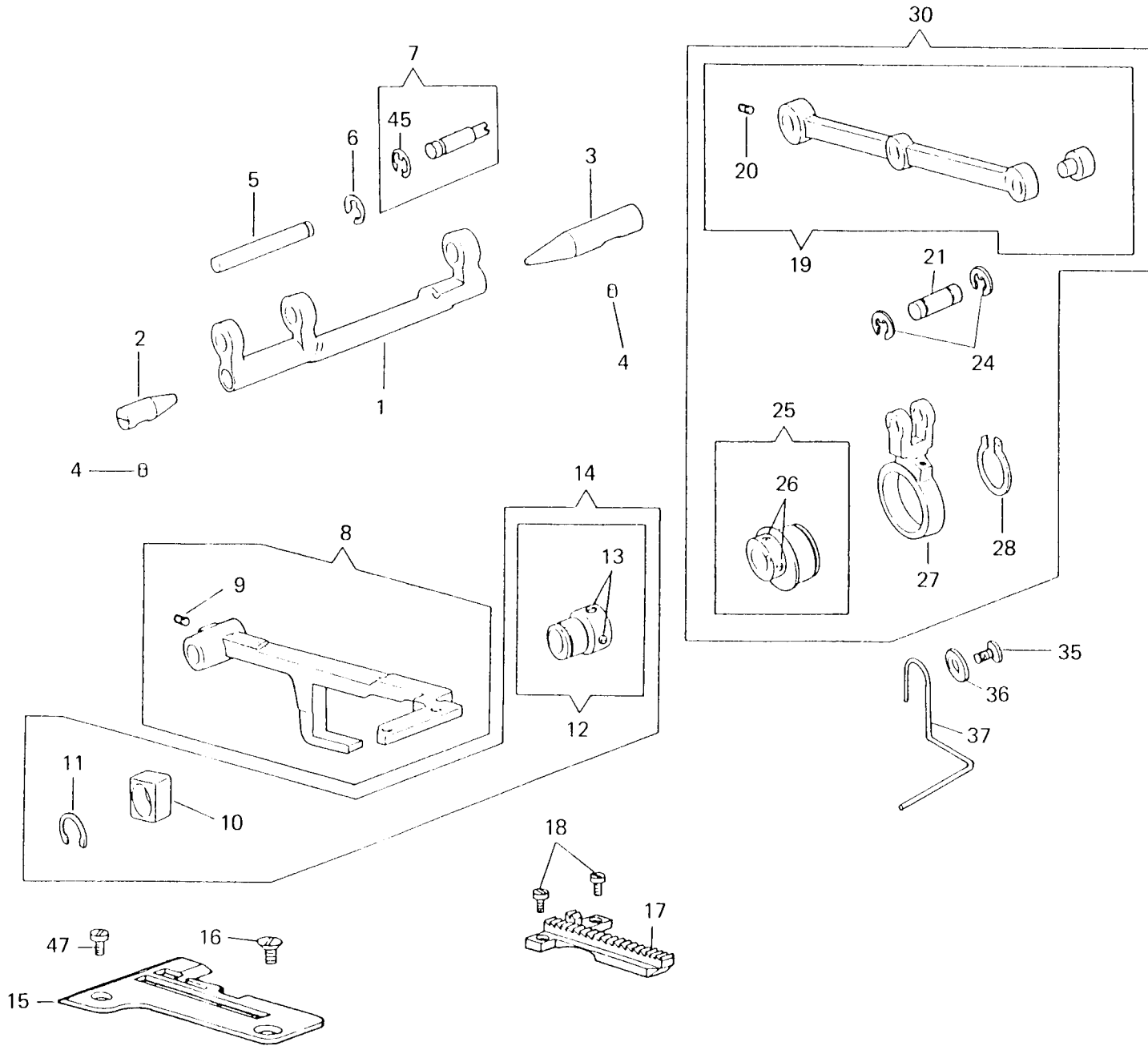
From the library of: Diamond Needle Corp



From the library of: Diamond Needle Corp

	PART NO.	DESCRIPTION		PART NO.	DESCRIPTION
1	376842	Knife (movable) Lever Comp.			
2	544204-001	Knife (movable) Lever Hing Stud Screw			
3	410310	Knife (movable) Lever Hing Stud			
5	410308	Knife (movable) Holder Collar Comp.			
6	544203-001	Knife (movable) Holder Coller Set Screw			
8	544407	Knife (movable) Screw			
9	412585	Knife (movable)			
10	412586	Knife (movable) Holder			
13	412584	Knife (movable) Comp.			
14	410307	Knife (movable) Holder Spring			
15	376841	Knife (movable) Lever Comp.			
16	410312-012	Knife (movable) Lever Driving Arm Comp.			
18	410316	Knife (movable) Forked Lever Stud Bushing			
19	544204-001	Knife (movable) Forked Lever Stud Bushing Set Screw			
20	410317	Knife (movable) Forked Lever comp.			
21	544204-001	Knife (movable) Forked Lever Screw(2)			
22	410296	Knife (stationary) Holder			
23	544207-011	Knife (stationary) Holder Screw(2)			
24	412749	Knife (stationary)			
25	410297	Knife (stationary) Clamping Plate			
26	544256	Knife (stationary) Clamping Plate Screw			
27	370226	Knife (stationary) Comp.			
28	370277	Needle Guard			
30	545180	Needle Guard Set Screw(2)			
31	410489	Knife (stationary) Holder Positioning Plate			
32	544211-002	Knife (stationary) Holder Positioning Plate Screw			

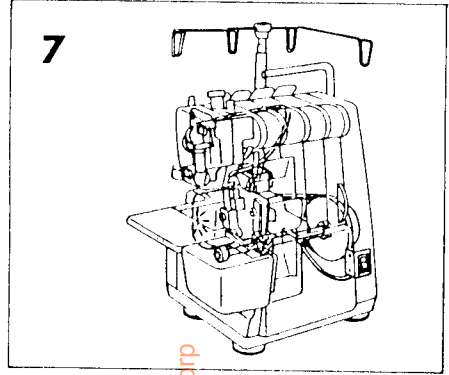
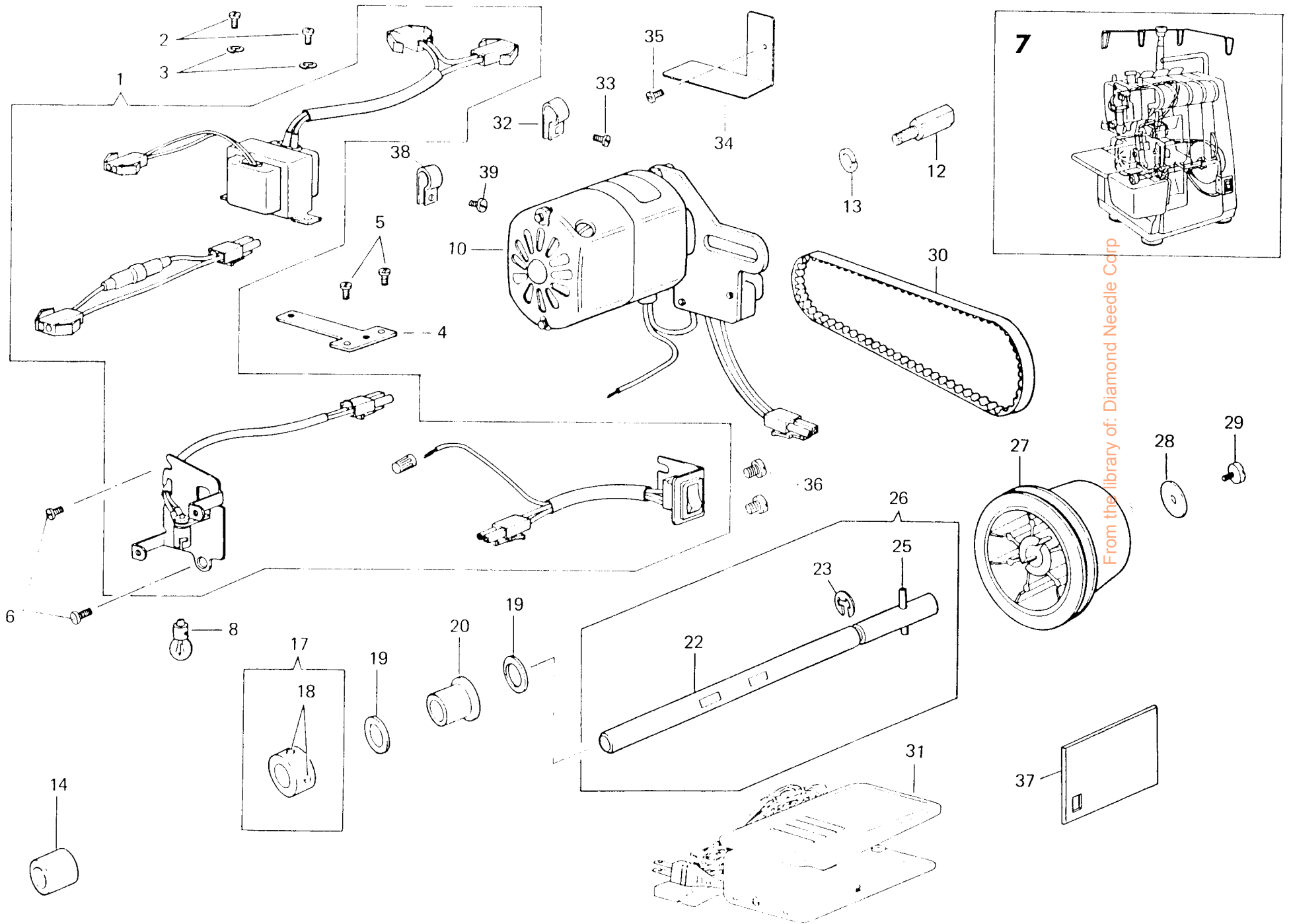
From the library of: Diamond Needle Corp



From the Library of Diamond Needle Core

	PART NO.	DESCRIPTION		PART NO.	DESCRIPTION
1	410378	Feed Crank			
2	410380	Feed Crank Pin Center (small)			
3	376795	Feed Crank Pin Center (large)			
4	544204-001	Feed Crank Pin Center Screw(2)			
5	410381	Feed Crank Pin			
6	543801-006	Feed Crank Pin Retaining Ring			
7	410382	Feed Crank Eccentric Pin Comp.			
8	410399	Feed Bar Comp.			
9	544204-001	Feed Crank Pin Screw			
10	410387	Feed Lifting Cam Slide Block			
11	543818-010	Feed Lifting Cam Slide Block Retaining Ring			
12	410385	Feed Lifting Cam Comp.			
13	544204-001	Feed Lifting Cam Set Screw(2)			
14	410384	Feed Lifting Cam Comp.			
15	412730	Throat Plate			
16	504050-851	Throat Plate Screw			
17	412783	Feed Dog *			
18	544103	Feed Dog Screw(2)			
19	376852	Feed Regulator Crank Rod Comp.			
20	544204-001	Feed Crank Eccentric Pin Screw			
21	410363	Feed Crank Rod Pin			
24	543801-006	Feed Crank Rod Pin Retaining Ring			
25	410360	Feed Cam Comp.			
26	544203-001	Feed Cam Screw(2)			
27	410362	Feed Crank Rod			
28	543802-014	Feed Cam Retaining Ring			
30	376850	Feed Regulator Crank Rod Comp.			
35	544213-001	Feed Regulator Dial Spring Screw			
36	543803-004	Feed Regulator Dial Spring Washer			
37	376810	Feed Regulator Dial Spring			
38	412788-003	Feed Regulator Dial Comp.			
			41	410370	Feed Regulator Stud Bushing
			42	544204-001	Feed Regulator Stud Bushing Set Screw
			43	410409	Feed Regulator Stud Collar Comp.
			44	504007	Feed Regulator Stud Collar Screw
			45	543801-007	Feed Crank Eccentric Pin Retaining Ring
			47	412694	Throat Plate Position Screw

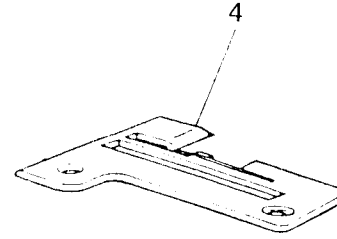
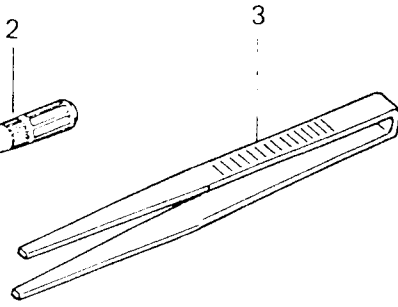
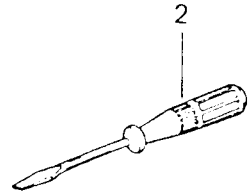
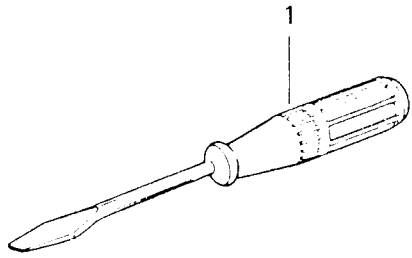
From the library of: Diamond Needle Corp



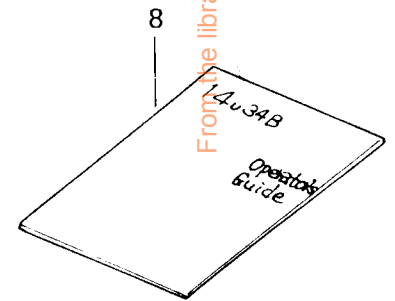
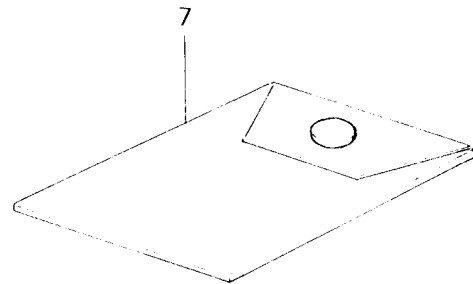
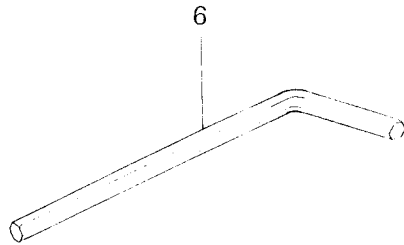
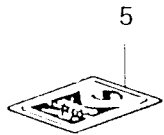
From the library of: Diamond Needle Cdrp

	PART NO.	DESCRIPTION		PART NO.	DESCRIPTION
1	419087	Switch, Transformer, Lamp Holder Comp.	38	542766-001	Cord Holder
2	549324	Transformer Screw(2)	39	544039	Cord Holder Screw(upper)
3	543805-002	Transformer Spring Washer(2)			
4	412752	Transformer Bracket			
5	544212-001	Transformer Bracket Screw(2)			
6	544212-001	Lamp Holder Bracket Screw(2)			
8	419088	Lamp			
10	419375-002	Motor Comp. (for UL/CSA)			
12	544259	Motor Bracket Clamping Screw			
13	543805-005	Motor Bracket Clamping Screw Washer			
14	410252	Rotating Shaft Bushing (left)			
17	410470	Rotating Shaft Collar Comp.			
18	544204-001	Rotating Shaft Collar Set Screw(2)			
19	408730	Rotating Shaft Thrust Washer(2)			
20	410253	Rotating Shaft Bushing (right)			
22	376816	Rotating Shaft			
23	543801-010	Rotating Shaft Retaining Ring			
25	543809-004	Rotating Shaft Spring Pin			
26	376808	Rotating Shaft Comp.			
27	410268-002	Pulley			
28	543848	Pulley Set Screw Washer			
29	544270-001	Pulley Set Screw			
30	412721	Motor Belt			
31	419115-002	Controller Comp. (for UL/CSA)			
32	542766-001	Cord Holder			
33	544212-001	Cord Holder Screw			
34	412737	Cord Clamping Plate			
35	544212-001	Cord Clamping Plate Screw			
36	544212-001	Switch Bracket Screw(2)			
37	419376-903	Electrical Data Plate (for UL/CSA)			
37	419376-905	Electrical Data Plate (for UL)			

From the library of: Diamond Needle Corp



8



From the library of: Diamond Needle Corp

	PART NO.	DESCRIPTION		PART NO.	DESCRIPTION
1	541513	Driver (large)			
2	541514	Driver (small)			
3	376853	Tweezers			
4	412784	Throat Plate Comp. (for Rolled Hem)			
5	N2054-01-14	Needle (#14)			
6	543066	Hexagon Wrench Key			
7	541597	Attachment Pack			
8	379211-002	Operator's Guide			

From the library of: Diamond Needle Corp